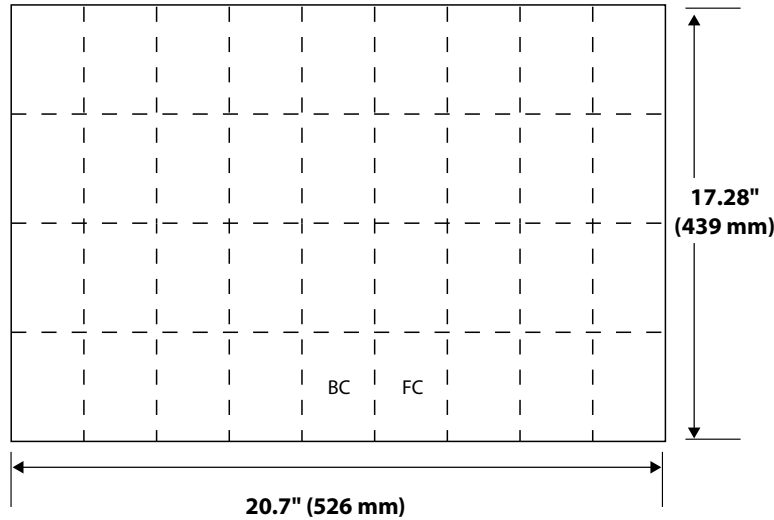






### IFU PRINTING SPECIFICATION SHEET

#### PAGE LAYOUT

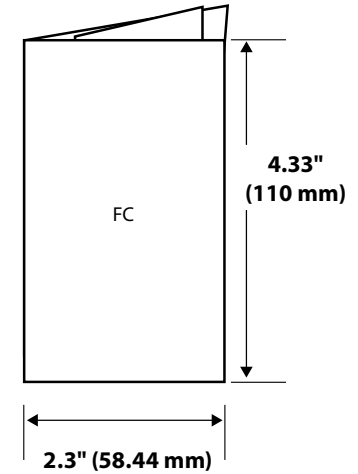
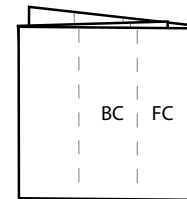
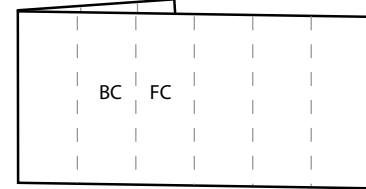
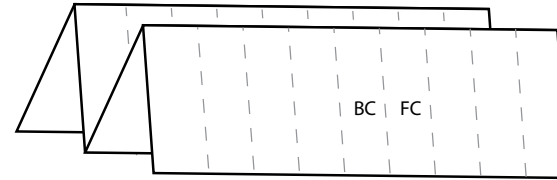


20.7" (526 mm)

17.28"  
(439 mm)

Flat Size

#### FOLD PATTERN



Folded Size

TITLE <b>VICRYL RAPIDE™ NVC</b>		DESCRIPTION <b>Map IFU</b>		LAB NUMBER <b>LAB0012306v3</b>	SPECIAL INSTRUCTIONS/COMMENTS <b>n/a</b>	BINDING <b>n/a</b>	COLORS <b>Black</b>			
FLAT SIZE <b>20.7" x 17.28"</b> <b>526 mm x 439 mm</b>	FOLDED SIZE <b>2.3" x 4.33"</b> <b>58.44 mm x 110 mm</b>	RMC NUMBER <b>8752845</b>	PAGE COUNT <b>2</b>	LANGUAGES <b>AR, CS, DA, DE, EL, EN, ES, FI, FR, HU, IT, KO, NL, NO, PL, PT, RU, SK, SV, TR, ZH-CN, ZH-TW</b>			SELF COVER <input checked="" type="checkbox"/>	PLUS COVER <input type="checkbox"/>	SEALING METHOD <b>n/a</b>	WAFER SEAL <input type="checkbox"/>
BLEED SIZE .5" (12.7 mm) <input type="checkbox"/> .125" (3.175 mm) <input type="checkbox"/>		NONE <input checked="" type="checkbox"/>	BLEED ALL SIDES <input type="checkbox"/>	BLEED TOP <input type="checkbox"/>	BLEED RIGHT <input type="checkbox"/>	BLEED LEFT <input type="checkbox"/>	BLEED BOTTOM <input type="checkbox"/>			
STOCK <b>Opakal white CF 50 g/m<sup>2</sup></b>					<b>ETHICON</b>					

**DRAWING IS NOT TO SCALE:** DRAWINGS REFLECT INFORMATION FOR PRODUCTION OF PRINTED PIECES AND DO NOT CONTAIN ACTUAL ARTWORK.  
 This document or data herein or herewith is not to be reproduced, used or disclosed in whole or part without the permission of Ethicon, Inc.