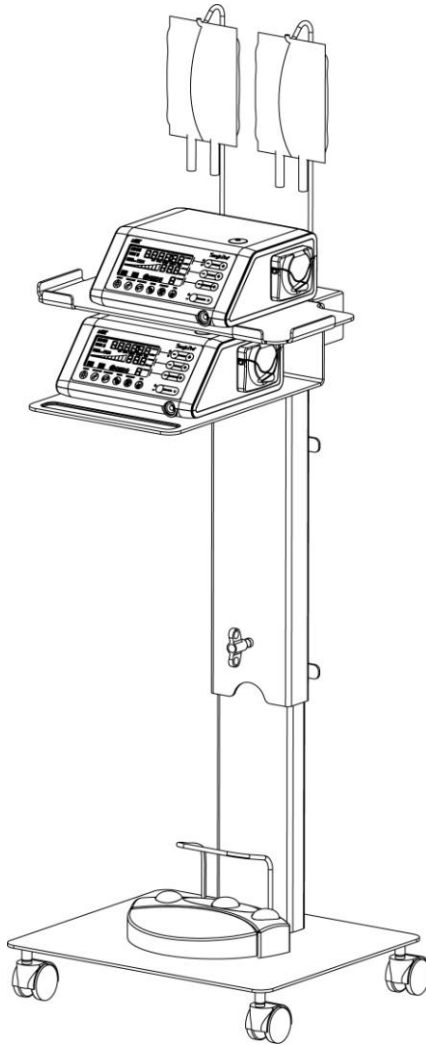
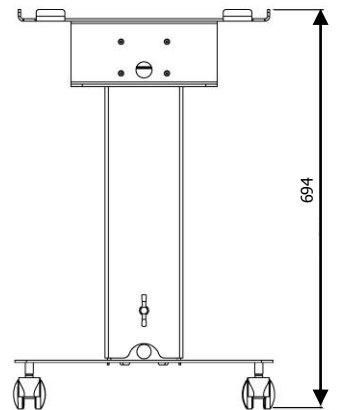
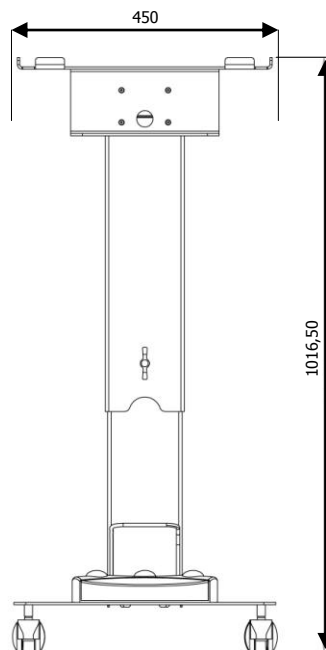
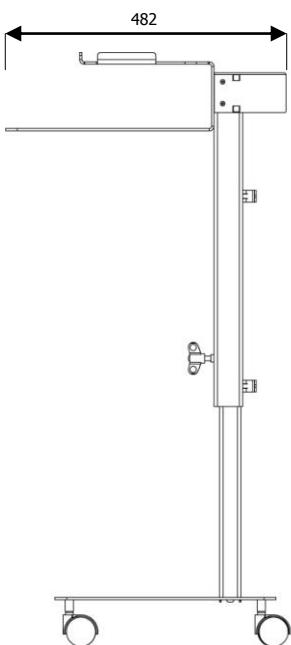


iCart

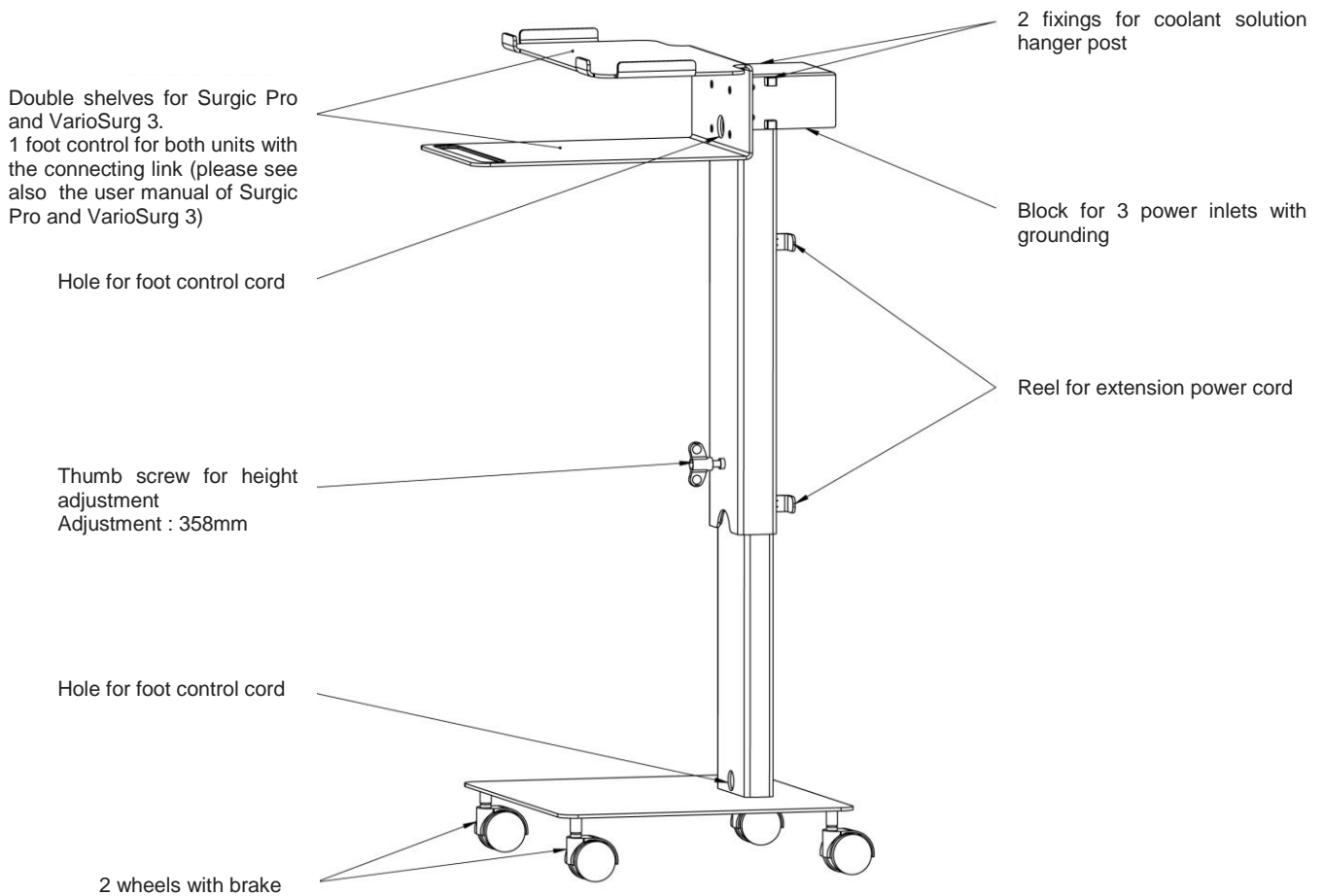
USER MANUAL



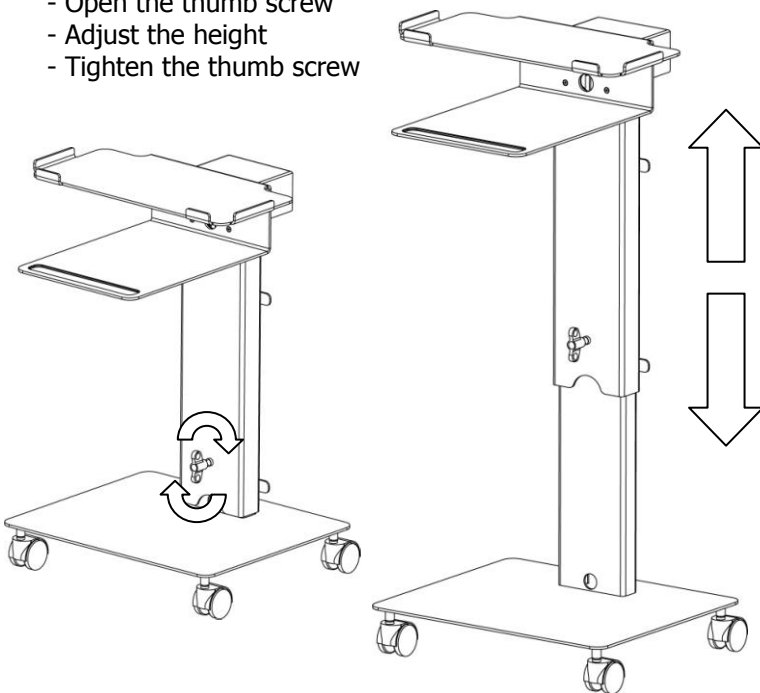
Dimensions



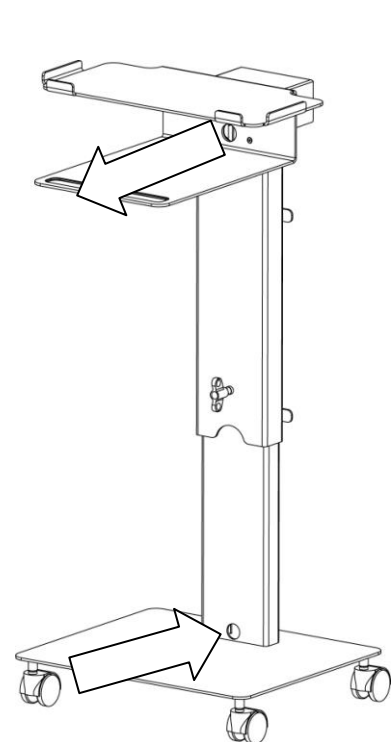
iCart



- Open the thumb screw
- Adjust the height
- Tighten the thumb screw



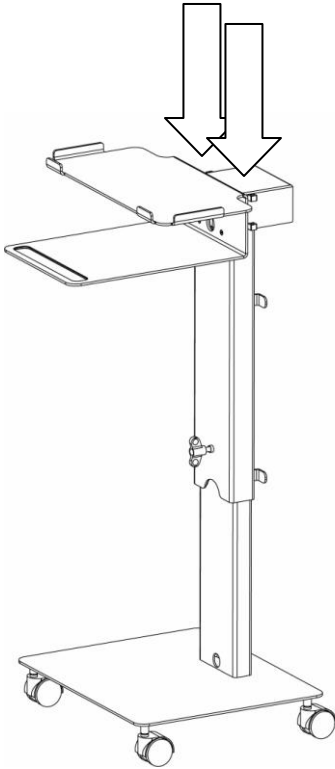
Pass the foot-control cord



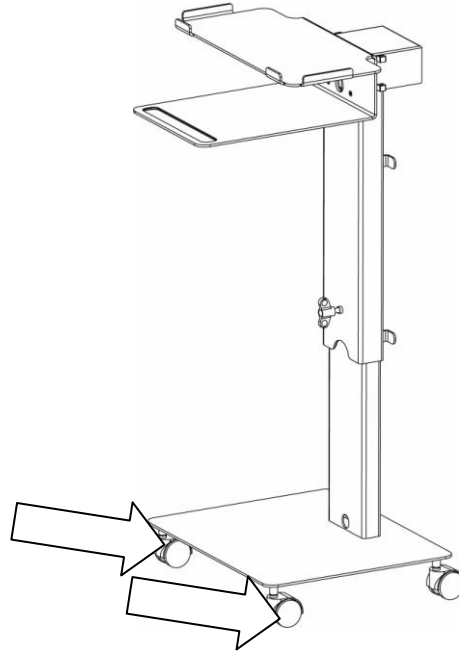
CAUTION! Hold the top of the cart after opening the thumb screw, otherwise the top of the cart moves down without braking

iCart

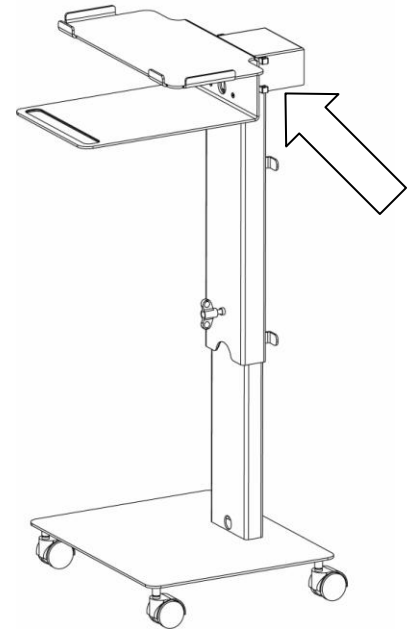
Insert the coolant solution hanger post (the hanger post are delivered with Surgic Pro and VarioSurg 3)



During treatment, it is recommended to use brakes. Only open brakes for moving the cart



Connect the unit to the power



Technical data

Operating voltage:
Ambient conditions:

230 V ~ / 50/60 Hz or 100/110 V ~ / 50/60 Hz
use temperature between +10 °C and +40 °C
storage temperature between +0 °C and +50 °C
relative air humidity between 10 % and 80 %
21 kg

Weight of device:

Scope of delivery:

1 cart with the power cord and User manual

Disposal

Retain the original packaging for later transport.

The Device and its packaging are made of valuable materials, which can be recycled.

This reduces the waste and conserves the environment.

Dispose the packaging correctly sorted. Use the local facilities to accumulate the Paper, paperboard and lightweight packaging.



It is not allowed to dispose devices, which are marked with the symbol above, in combination with municipal waste! You are legally obligated to dispose your old devices separately from your household garbage. (European Directive 2002/96/EC). You can get more free information about disposal of your device from the dealer where you bought it.

WEEE-Reg.-Nr. DE 72356056

Konformitätserklärung / Declaration of Conformity

gemäß den Bestimmungen der EG-Richtlinie über /
in accordance with the EU-Directives for

Elektrische Betriebsmittel zur Verwendung innerhalb bestimmter Spannungsgrenzen
Electrical equipment designed for use within certain voltage limits
Niederspannungsrichtlinie 2006/95/EG
Low Voltage Directive 2006/95/EEC

Beschränkung der Verwendung bestimmter gefährlicher Stoffe in Elektro- und Elektronikgeräten
Restriction of the use of certain hazardous substances in electrical and electronic equipment
Richtlinie 2011/65/EG (RoHS)
Directive 2011/65/EEC (RoHS)

Hersteller / Manufacturer:

**NSK WT GmbH
Portitzer Strasse 69 d
D-04425 Taucha
Germany**

Hiermit bestätigen wir, dass das Produkt
Hereby we certify that the product

Geräteart /
Purpose of equipment:

Dental Cart
Dental Cart

Gerätetyp /
Type of equipment:

Artikel Nr. /
Article no:

iCart

S9090

Taucha, 2013-10-10

NSK WT GmbH
R&D Division Manager Dental

Bruno Lamoureux

